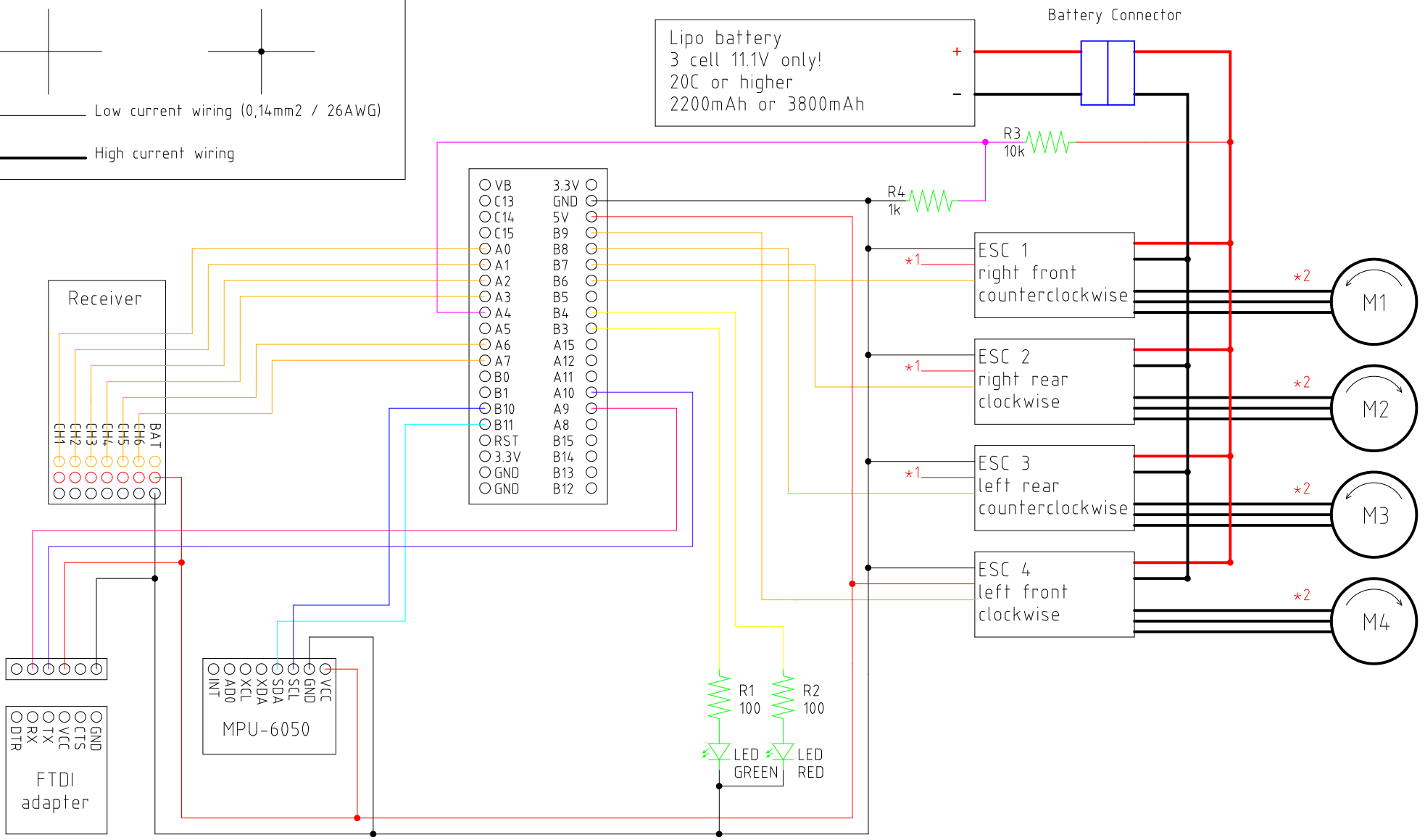


Lipo battery  
 3 cell 11.1V only!  
 20C or higher  
 2200mAh or 3800mAh



\*2 = switch 2 of the 3 wires to reverse the direction of the motor  
 \*1 = do not connect the +5V BEC wire  
 This drawing is provided "as is", without warranty of any kind. You are using it at your own risk.

Project: STM32 Flight controller		
Name:	Schematic	Drawn: J. Brokking
Date:	19-10-2017	Page: 1 of 1