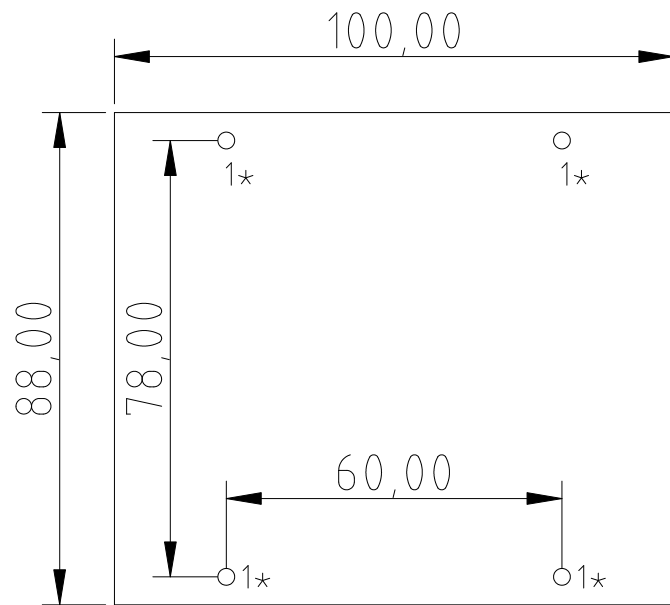


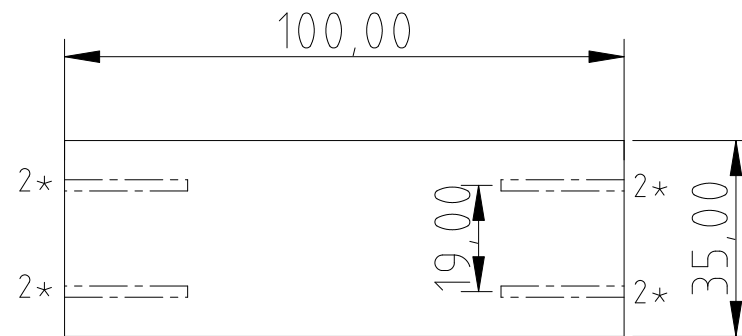
All dimensions are in mm

1\* = 3mm hole

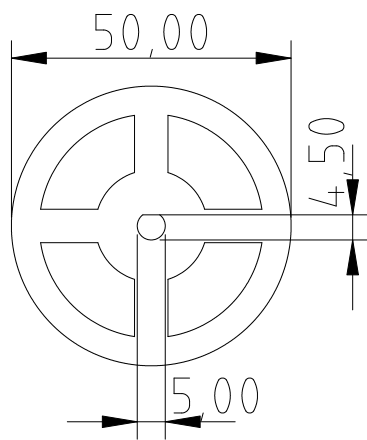
2\* = 2.5mm hole



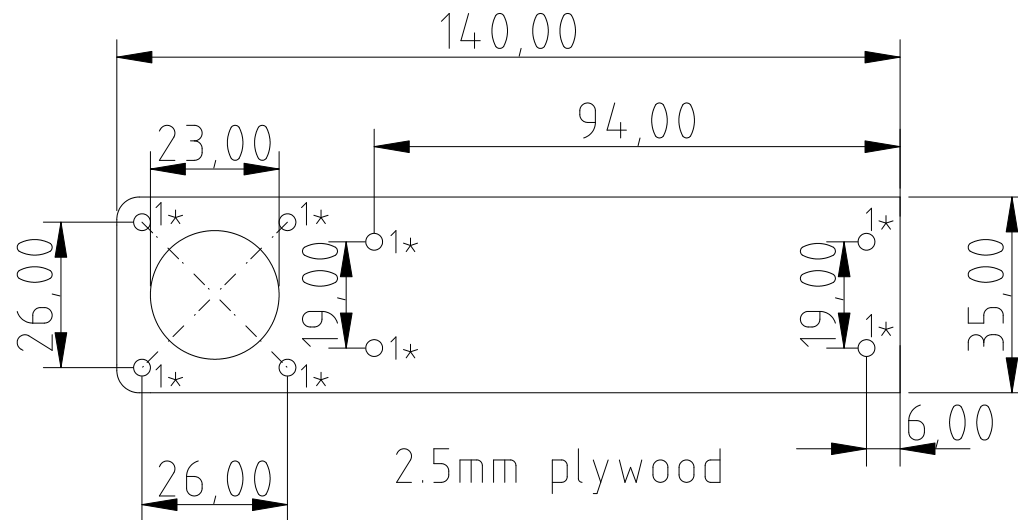
2.5mm plywood



12mm plywood



12mm plywood



2.5mm plywood